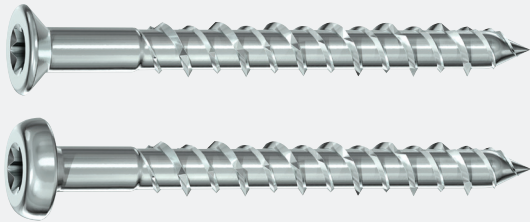


MULTI-FIX MASONRY SCREW - COUNTERSUNK & PAN HEAD



FEATURES

- A rapid and effective light duty anchoring system for fixing into concrete and brick.
- One piece through fixing.
- Smaller hole diameter required, compared to other traditional light duty fixings
- All metal, non-flammable fixing.
- Non-expansion.
- Choice of Countersunk or Pan head types to suit multiple applications.
- Serrated Hi-Lo V-threads to achieve optimum insertion into all masonry types.
- TX25 Recess
- Zinc plated for increased corrosion resistance.
- All steel, non-flammable fixing conforming to BS 7671 standard's 18th edition, which requires wiring systems to be supported by materials which are unlikely to prematurely collapse in the event of a fire

COUNTERSUNK RANGE

ZINC

Product Code	Size $\varnothing \times L$ (mm)	Max. Fixture Thickness (mm)	Fixture Clearance Hole \varnothing (mm)
640MFC SK	6 x 40	15	6.5
660MFC SK	6 x 60	35	6.5
680MFC SK	6 x 80	55	6.5
6100MFC SK	6 x 100	63	6.5

PAN HEAD RANGE

ZINC

Product Code	Size $\varnothing \times L$ (mm)	Max. Fixture Thickness (mm)	Fixture Clearance Hole \varnothing (mm)
640MFPAN	6 x 40	15	6.5
660MFPAN	6 x 60	35	6.5
680MFPAN	6 x 80	55	6.5
6100MFPAN	6 x 100	63	6.5

TECHNICAL DATA



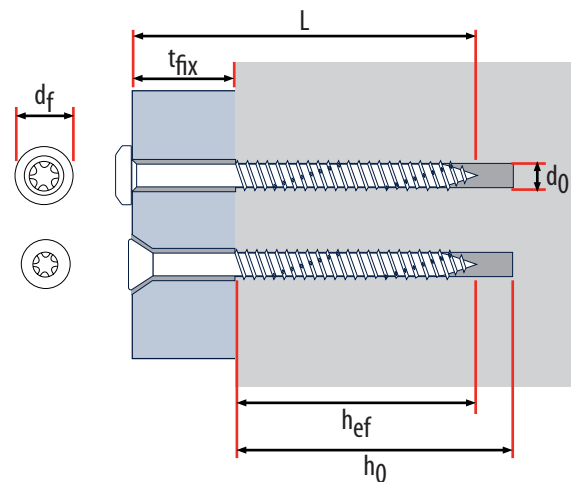
Substrate	Concrete $\geq 25N/mm^2$	
Length (mm)	40-80	100
Rec. Tensile Load (kN) N _{rec}	1.0	1.5
Max Rec. Load (kg)	100	150

INSTALLATION GUIDELINES



Drill required diameter hole to the correct depth.

Using a power tool, tighten the fixing until secure.



L	Length	h_0	Minimum Drill Hole Depth
d_f	Head Diameter	t_{fix}	Maximum Fixture thickness
d_0	Drill Hole	h_{ef}	Minimum Embedment Depth

INSTALLATION DATA - COUNTERSUNK

Product Code	Size $\varnothing \times$ Length L (mm)	Head Diameter d_f (mm)	Drill Hole d_0 (mm)	Min. Drill Depth h_0 (mm)	Max. Fixture Thickness t_{fix} (mm)	Min. Embedment Depth h_{ef} (mm)
640MFC SK	6 x 40	9.50	5.0	35	15	25
660MFC SK	6 x 60	9.50	5.0	35	35	25
680MFC SK	6 x 80	9.50	5.0	47	55	25
6100MFC SK	6 x 100	9.50	5.0	47	63	37

INSTALLATION DATA - PAN HEAD

Substrate	Size $\varnothing \times$ Length L (mm)	Head Diameter d_f (mm)	Drill Hole d_0 (mm)	Min. Drill Depth h_0 (mm)	Max. Fixture Thickness t_{fix} (mm)	Min. Embedment Depth h_{ef} (mm)
640MFPAN	6 x 40	10.50	5.0	35	15	25
660MFPAN	6 x 60	10.50	5.0	35	35	25
680MFPAN	6 x 80	10.50	5.0	47	55	25
6100MFPAN	6 x 100	10.50	5.0	47	63	37